

Project Name NATIONAL FINANCIAL SERVICE FIRM
Date 14-Nov-21
Furniture Specifications

Item #	Item Type	Description	Location	Unit Net Cost	Qty.	Extension	Notes
Seating							
ST-1	Conference Chair	Manufacturer: Tuohy Model name: 902 High Back, Loop Arms Executive High Back, upholstered back/seat, metal arms Pneumatic height Product Number: #R902A Dimensions: 24.1"W x 18"D x 42 1/2" - 47"H Finish: MPA base Upholstery: Lena cream leather	Conference Room		10	\$ -	
ST-2	Task Chair	Manufacturer: Knoll Model name: Olio Pneumatic height, knit back and seat, Aluminum 5 Star, Arms, soft casters Product Number: #35302992 Dimensions: 25.5"W x 20.9"D x 35"-40.3"H Finish: Aluminum Upholstery: Husk performance fabric	Support Staff Offices #1,#2 and #3 Account Executive Offices #1, #2 and #3		10	\$ -	Upholstered outer shell
ST-3	Guest Chair	Manufacturer: Knoll Model name: Remix Side Pneumatic height adjustment, black steel Soft glide casters Product Number: #14281682 Dimensions: 23"W x 22.4" x 31.5"H Finish: Black base and casters Upholstery: Stone	Regional Manager's Office Private Offices #1 and #2 Office Manager Accounting Staff Huddle Space		16	\$ -	Upholstered outer shell
ST-4	Lounge Chair	Manufacturer: Tuohy Furniture Model name: Genevieve Lounge Soft leather with veneer Metal legs Product Number: GEN1(Wd1 Surround) Dimensions: 30"W x 30" x 29"H Finish: MPC Polished Chrome Legs with soft leather surround Upholstery: L4 7209	Reception		4		Leather with veneer surround on outer shell
Tables							
TA-1	Conference Table	Manufacturer: Tuohy Furniture Model name: Massif Rectangular format, wood top, 1 insert, Duo bases wood and BPGlass insert Product Number: #MAS19648W1 12701+939 Dimensions: 48"D x 108"W Finish: Wood grain 1 long grain	Conference Room		1		Back painted; glass S.BWT White
TA-2	Coffee Table	Manufacturer: Tuohy Furniture Model name: Oblique Table Wood base with applied top with wood veneer Product Number: #BL36AATW14219 Dimensions: 36"D x 14"W Finish: White Oak veneer	Reception		1		Glass applied top
TA-3	Media Table	Manufacturer: All Steel Model name: Gunlocke Briefing Adjustable height, wood veneer, stone top outlet sources Product Number: #QT693KBNWY Dimensions: 60"D x 42"W x 29.5"-42.5"H Finish: Sumatra Walnut veneer	Huddle Space		1		Media TV table
Filing							
F-1	3' Lateral File	Manufacturer: Allsteel Model name: Silea wood veneer, pull drawers lower, upper pull out Product Number: #GS2LFS5H36 Dimensions: 36"W X 24"D X 48"H Finish: Light oak wood veneer w/ matte black hardware	Private Office # 1 & #2 Office Manager		3		

KEY:

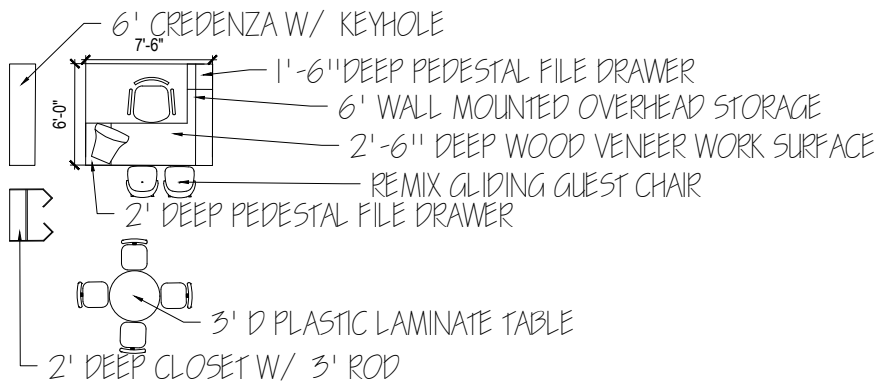
PO-1

FURNITURE SPECIFICATION PRODUCT:WORKSTATION

PROJECT:NATIONAL FINANCIAL
SERVICE FIRM
DESIGNER: PAULA DIXON

ROOM: REGIONAL MANAGER'S OFFICE; 12'-2" X 18'-7"
FURNITURE: FREESTANDING DESK

- 1-6'X2'6" WORKSURFACE
- 1-6'X2' WORKSURFACE BRIDGE
- 1-6'X1'8" CREDENZA W/ KEYHOLE
- 2-MOVEABLE PEDESTAL FILE
- 1-3'X2' CLOSET
- 1-3' TASK TABLE
- 1-6'X1' OVERHEAD BINS W/ LED LIGHT
- 1- WALL MOUNTED TACKABLE SURFACE
ALTERNATE: 1-LED DESK LAMP
- SEATING: 1-EXECUTIVE CHAIR; ADJUSTABLE SEAT
- 2-REMIX GUEST CHAIR
- 4-OCCASIONAL CHAIR
- FINISHES: WORKSURFACES; WOOD VENEER
- COMPONENTS- BLACK METAL PULLS
- PANELS: GRADE 2
- PEDESATL FABRIC CUSHION- GRADE 2
- TASK SEATING: GRADE LEVEL 2
- NOTES: WORKSURFACES TO INCLUDE GROMMETS FILE DRAWERS INCLUDE LETTER/LEGAL KITS PEDESTAL AND TOWER STORAGE KEYED ALIKE; PEDESTALS MOBILE W/ FULL DEPTH



REGIONAL MANAGER'S OFFICE

SCALE: $\frac{1}{4}" = 1'-0"$



KEY:

PO-2

FURNITURE SPECIFICATION PRODUCT:WORKSTATION

PROJECT:NATIONAL FINANCIAL
SERVICE FIRM
DESIGNER: PAULA DIXON

ROOM: PRIVATE OFFICE #1; 9'-7"X14'-11"

FURNITURE: FREESTANDING DESK

1-8'-6"X2'6" WORKSURFACE
1-6'-6"X2' WORKSURFACE BRIDGE
1-6'X7" RACETRACK WORKSURFACE
1- 4' WALL MOUNTED OPEN SHELF
1-MOVEABLE PEDESTAL FILE

1-3'X4'H LATERAL FILES

ALTERNATE: 1-LED DESK LAMP

SEATING:1-MANAGEMENT CHAIR

3-REMIX GUEST CHAIR

FINISHES: WORKSURFACES; WOOD VENEER

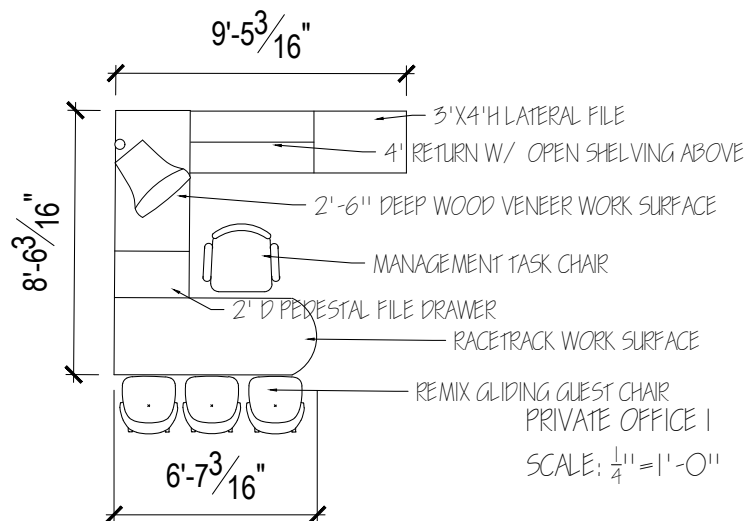
COMPONENTS- BLACK METAL PULLS

PANELS: GRADE 2

PEDESATL FABRIC CUSHION- GRADE 2

TASK SEATING: GRADE LEVEL 2

NOTES: WORKSURFACES TO INCLUDE GROMMETS
FILE DRAWERS INCLUDE LETTER/LLEGAL KITS
PEDESTAL AND TOWER STORAGE KEYED ALIKE;
PEDESTALS MOBILE W/ FULL DEPTH



KEY:

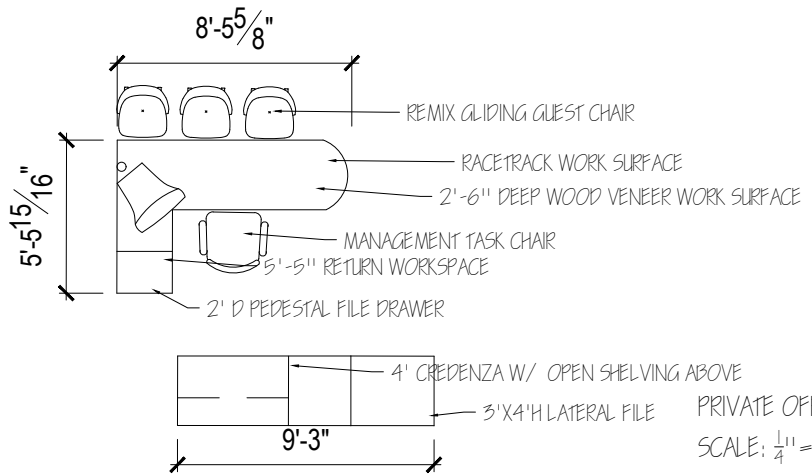
PO-3

FURNITURE SPECIFICATION PRODUCT:WORKSTATION

PROJECT:NATIONAL FINANCIAL
SERVICE FIRM
DESIGNER: PAULA DIXON

ROOM: PRIVATE OFFICE #2;
FURNITURE: FREESTANDING DESK

- 1-8'-6"X2'6" WORKSURFACE
- 1-6'-6"X2' WORKSURFACE BRIDGE
- 1-6'X7" RACETRACK WORKSURFACE
- 1- 4' WALL MOUNTED OPEN SHELF
- 1-MOVEABLE PEDESTAL FILE
- 1-3'X4'H LATERAL FILES
- ALTERNATE: 1-LED DESK LAMP
- SEATING:1-MANAGEMENT CHAIR
- 3-REMIX GUEST CHAIR
- FINISHES: WORKSURFACES; WOOD VENEER
- COMPONENTS- BLACK METAL PULLS
- PANELS: GRADE 2
- PEDESATL FABRIC CUSHION- GRADE 2
- TASK SEATING: GRADE LEVEL 2
- NOTES: WORKSURFACES TO INCLUDE GROMMETS FILE DRAWERS INCLUDE LETTER/LEGAL KITS PEDESTAL AND TOWER STORAGE KEYED ALIKE; PEDESTALS MOBILE W/ FULL DEPTH



PRIVATE OFFICE 2
SCALE: 1/4" = 1'-0"



KEY:

WS-1

FURNITURE SPECIFICATION

PRODUCT: WORKSTATION

PROJECT: NATIONAL FINANCIAL
SERVICE FIRM
DESIGNER: PAULA DIXON

ROOM: ACCOUNT EXECUTIVES #1, #2 & #3;
5'-0" X 6'-0"
SYSTEMS FURNITURE: SEGMENTED PANEL
OVERALL HEIGHT 5'. LEG BASE PANEL
NOT ALONG SPINE. OUTER FACES WOOD
LAMINATE. POWER/DATA/COMM ACCESS
TO BE PROVIDED THROUGH POWER IN
FLOOR. CENTER SPINE POWERED. PROVIDE
WHIPS.

3-5'-X2'6" WORKSURFACE HUNG

3- 5' LINEAR BINS

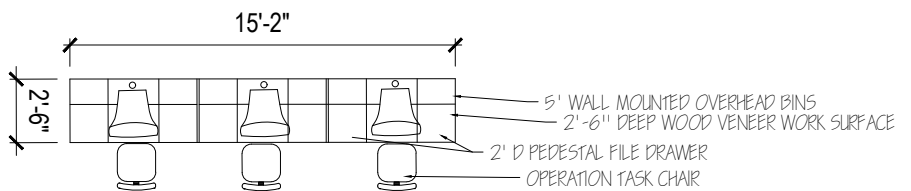
6-MOVEABLE PEDESTAL FILE
ALTERNATE: 3-LED DESK LAMP
SEATING: 3-OPERATION TASK CHAIR
FINISHES: WORKSURFACES; WOOD LAMI-
NATE

COMPONENTS- BLACK METAL PULLS

PANELS: GRADE 1

PEDESATL FABRIC CUSHION- GRADE 1

TASK SEATING: GRADE LEVEL 2
NOTES: WORKSURFACES TO INCLUDE
GROMMETS HORIZONTAL WIRE MANAGEMENT
CLIPS FILE DRAWERS INCLUDE LETTER/
LEGAL KITS PEDESTALS MOBILE W/ FULL
DEPTH



ACCOUNT EXECUTIVES #1, #2 & #3

SCALE: $\frac{1}{4}" = 1'-0"$



KEY:

WS-2

FURNITURE SPECIFICATION PRODUCT:WORKSTATION

PROJECT:NATIONAL FINANCIAL
SERVICE FIRM
DESIGNER: PAULA DIXON

ROOM: ACCOUNTING STAFF; 11'-7"X14'-11 1/2"

SYSTEMS FURNITURE: SEGMENTED PANEL OVERALL HEIGHT 5'. LEG BASE PANEL NOT ALONG SPINE. OUTER FACES WOOD LAMINATE. POWER/DATA/COMM ACCESS TO BE PROVIDED THROUGH POWER IN FLOOR. CENTER SPINE POWERED. PROVIDE WHIPS.

2-8'-X2'6" WORKSURFACE HUNG

2- 8' LINEAR OVERHEAD BINS

2-MOVEABLE PEDESTAL FILE

1-7'-6"X3'H LATERAL FILE

ALTERNATE: 2-LED DESK LAMP

SEATING: 2-MANAGEMENT TASK CHAIR
FINISHES: WORKSURFACES; WOOD LAMI-NATE

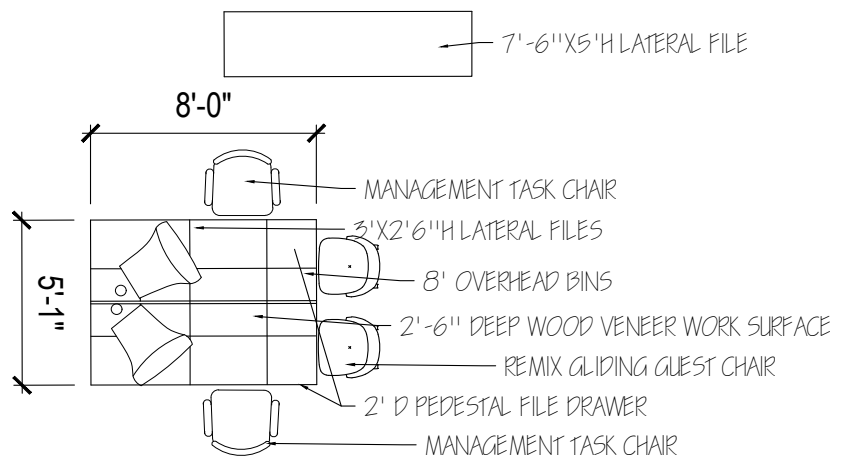
COMPONENTS- BLACK METAL PULLS

PANELS: GRADE 1

PEDESATL FABRIC CUSHION- GRADE 1

TASK SEATING: GRADE LEVEL 2

NOTES: WORKSURFACES TO INCLUDE GROMMETS HORIZONTAL WIRE MANAGEMENT CLIPS FILE DRAWERS INCLUDE LETTER/LEGAL KITS PEDESTALS MOBILE W/ FULL DEPTH



ACCOUNTING STAFF

SCALE: $\frac{1}{4}'' = 1'-0''$



KEY:

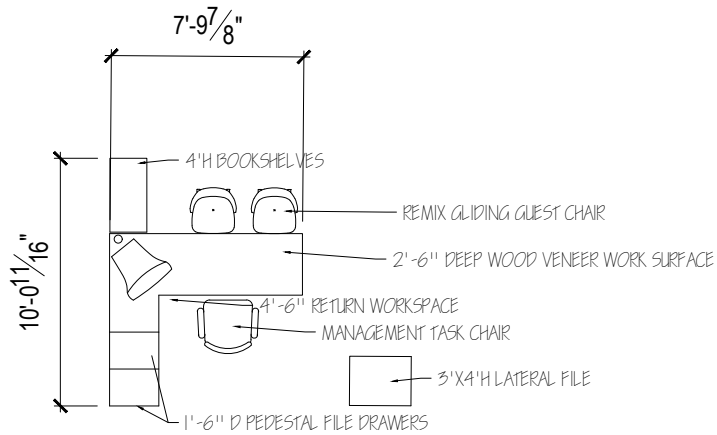
WS-3

FURNITURE SPECIFICATION PRODUCT:WORKSTATION

PROJECT:NATIONAL FINANCIAL
SERVICE FIRM
DESIGNER: PAULA DIXON

ROOM: OFFICE MANAGER
FURNITURE: SEGMENTED PANEL OVERALL
HEIGHT 5' W/ GLASS. LEG BASE PANEL
NOT ALONG SPINE. OUTER FACES WOOD
LAMINATE. POWER/DATA/COMM ACCESS
TO BE PROVIDED THROUGH POWER IN
FLOOR. CENTER SPINE POWERED. PROVIDE
WHIPS.

- 1-8'-6"X2'-6" WORKSURFACE HUNG
- 1- 6'-6"X2' WORKSURFACE BRIDGE
- 1-MOVEABLE PEDESTAL FILE
- 1-6'X7' RACETRACK WORKSURFACE
- 1-4' WALL MOUNTED OPEN SHELF
- 1-3'X4'H LATERAL FILES
- ALTERNATE: 1-LED DESK LAMP
- SEATING: 1-MANAGEMENT TASK CHAIR
- FINISHES: WORKSURFACES; WOOD LAMI-
NATE



OFFICE MANAGER
SCALE: 1/4"=1'-0"

COMPONENTS- BLACK METAL PULLS

PANELS: GRADE 1

PEDESATL FABRIC CUSHION- GRADE 1

TASK SEATING: GRADE LEVEL 2

NOTES: WORKSURFACES TO INCLUDE
GROMMETS

WIRE MANAGEMENT CLIPS HORIZONTAL

DRAWERS INCLUDE LETTER/LEGAL KITS FILE

MOBILE W/ FULL DEPTH PEDESTALS



KEY:

WS-4

FURNITURE SPECIFICATION PRODUCT: WORKSTATION

PROJECT: NATIONAL FINANCIAL
SERVICE FIRM
DESIGNER: PAULA DIXON

ROOM: SUPPORT STAFF #1, #2 & #3
FURNITURE: SEGMENTED PANEL OVERALL
HEIGHT 5' W/ GLASS. LEG BASE PANEL
NOT ALONG SPINE. OUTER FACES WOOD
LAMINATE. POWER/DATA/COMM ACCESS
TO BE PROVIDED THROUGH POWER IN
FLOOR. CENTER SPINE POWERED. PROVIDE
WHIPS.

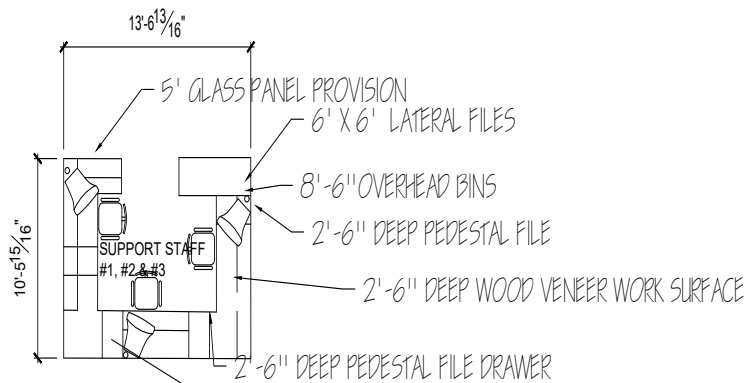
3-8'-6" X 2'-6" WORKSURFACE HUNG
2- 8'-6" X 1' OVERHEAD BINS
1- 4' OVERHEAD BIN
1-4' X 2' WORKSURFACE BRIDGE
5-6' X 6' H LATERAL FILES
ALTERNATE: 3-LED DESK LAMP
SEATING: 3-OPERATIONAL TASK CHAIR
FINISHES: WORKSURFACES; WOOD LAMI-
NATE

COMPONENTS- BLACK METAL PULLS

PANELS: GRADE 1

PEDESATL FABRIC CUSHION- GRADE 1

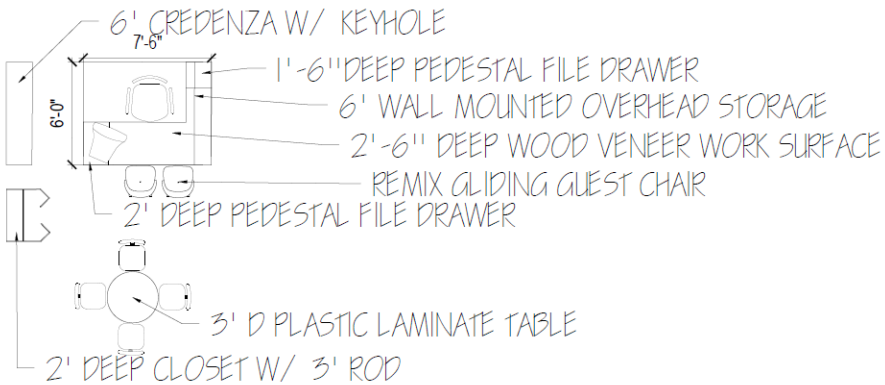
TASK SEATING: GRADE LEVEL 2
NOTES: WORKSURFACES TO INCLUDE
GROMMETS HORIZONTAL WIRE MANAGEMENT
CLIPS FILE DRAWERS INCLUDE LETTER/
LEGAL KITS PEDESTALS MOBILE W/ FULL
DEPTH



SUPPORT STAFF

SCALE: $\frac{1}{4}" = 1'-0"$





REGIONAL MANAGER'S OFFICE

SCALE: $\frac{1}{4}" = 1'-0"$

PRIVATE OFFICE PO1

ROOM: 12'-2" X 18'-7"

FURNITURE: FREESTANDING DESK

- 1-6'X2'6" WORKSURFACE
- 1-6'X2' WORKSURFACE BRIDGE
- 1-6'X1'8" CREDENZA W/ KEYHOLE
- 2-MOVEABLE PEDESTAL FILE
- 1-3'X2' CLOSET
- 1-3' TASK TABLE
- 1-6'X1' OVERHEAD BINS W/ LED LIGHT
- 1- WALL MOUNTED TACKABLE SURFACE

ALTERNATE: 1-LED DESK LAMP

SEATING:

- 1-EXECUTIVE CHAIR; ADJUSTABLE SEAT
- 2-REMIX GUEST CHAIR
- 4-OCCASIONAL CHAIR

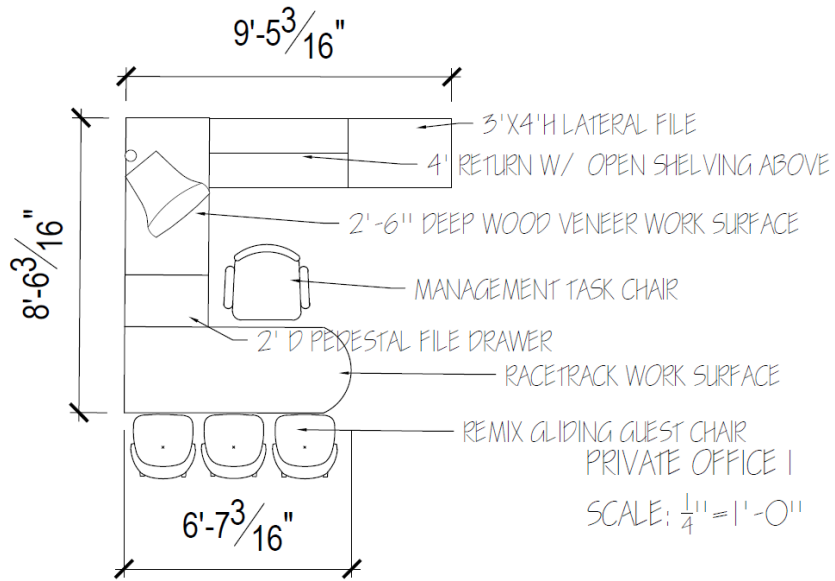
FINISHES: WORKSURFACES; WOOD VENEER

- COMPONENTS- BLACK METAL PULLS
- PANELS: GRADE 2
- PEDESATL FABRIC CUSHION- GRADE 2
- TASK SEATING: GRADE LEVEL 2

NOTES: WORKSURFACES TO INCLUDE GROMMETS

- FILE DRAWERS INCLUDE LETTER/LEGAL KITS
- PEDESTAL AND TOWER STORAGE KEYED

ALIKE; PEDESTALS MOBILE W/ FULL DEPTH



PRIVATE OFFICE PO2

ROOM: 9'-6"X14'-11"

FURNITURE: FREESTANDING DESK

- 1-8'-6"X2'6" WORKSURFACE
- 1-6'-6"X2' WORKSURFACE BRIDGE
- 1-6'X7" RACETRACK WORKSURFACE
- 1- 4' WALL MOUNTED OPEN SHELF
- 1-MOVEABLE PEDESTAL FILE
- 1-3'X4'H LATERAL FILES
- 1-LED DESK LAMP
- 1-MANAGEMENT CHAIR
- 3-REMIX GUEST CHAIR

ALTERNATE:

SEATING:

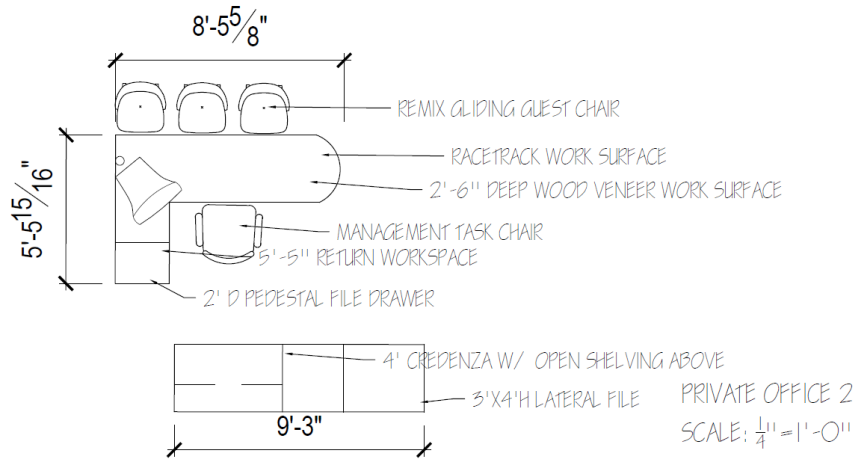
FINISHES: WORKSURFACES; WOOD VENEER

- COMPONENTS- BLACK METAL PULLS
- PANELS: GRADE 2
- PEDESATL FABRIC CUSHION- GRADE 2
- TASK SEATING: GRADE LEVEL 2

NOTES: WORKSURFACES TO INCLUDE GROMMETS

- FILE DRAWERS INCLUDE LETTER/LEGAL KITS
- PEDESTAL AND TOWER STORAGE KEYED ALIKE; PEDESTALS

MOBILE W/ FULL DEPTH



PRIVATE OFFICE PO3

ROOM: 11'-3" X 10'-6"

FURNITURE: FREESTANDING DESK

- 1-8'-6"X2'6" WORKSURFACE
- 1-6'-6"X2' WORKSURFACE BRIDGE
- 1-6'X7" RACETRACK WORKSURFACE
- 1- 4' WALL MOUNTED OPEN SHELF
- 1-MOVEABLE PEDESTAL FILE
- 1-3'X4'H LATERAL FILES
- 1-LED DESK LAMP
- 1-MANAGEMENT CHAIR
- 3-REMIX GUEST CHAIR

ALTERNATE:

SEATING:

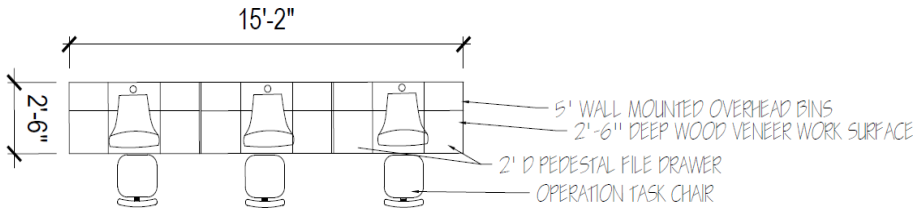
FINISHES: WORKSURFACES; WOOD VENEER

- COMPONENTS- BLACK METAL PULLS
- PANELS: GRADE 2
- PEDESATL FABRIC CUSHION- GRADE 2
- TASK SEATING: GRADE LEVEL 2

NOTES: WORKSURFACES TO INCLUDE GROMMETS

- FILE DRAWERS INCLUDE LETTER/LEGAL KITS
- PEDESTAL AND TOWER STORAGE KEYED ALIKE; PEDESTALS

MOBILE W/ FULL DEPTH



ACCOUNT EXECUTIVES #1, #2 & #3

SCALE: $\frac{1}{4}'' = 1'-0''$

WORKSTATION WS1

ROOM: 5'-0"X6'-0"

SYSTEMS FURNITURE: SEGMENTED PANEL OVERALL HEIGHT 5'. LEG BASE PANEL NOT ALONG SPINE. OUTER FACES WOOD LAMINATE. POWER/DATA/COMM ACCESS TO BE PROVIDED THROUGH POWER IN FLOOR. CENTER SPINE POWERED. PROVIDE WHIPS.

3-5'-X2'6" WORKSURFACE HUNG

3- 5' LINEAR BINS

6-MOVEABLE PEDESTAL FILE

ALTERNATE:

3-LED DESK LAMP

SEATING:

3-OPERATION TASK CHAIR

FINISHES: WORKSURFACES; WOOD LAMINATE

COMPONENTS- BLACK METAL PULLS

PANELS: GRADE 1

PEDESATL FABRIC CUSHION- GRADE 1

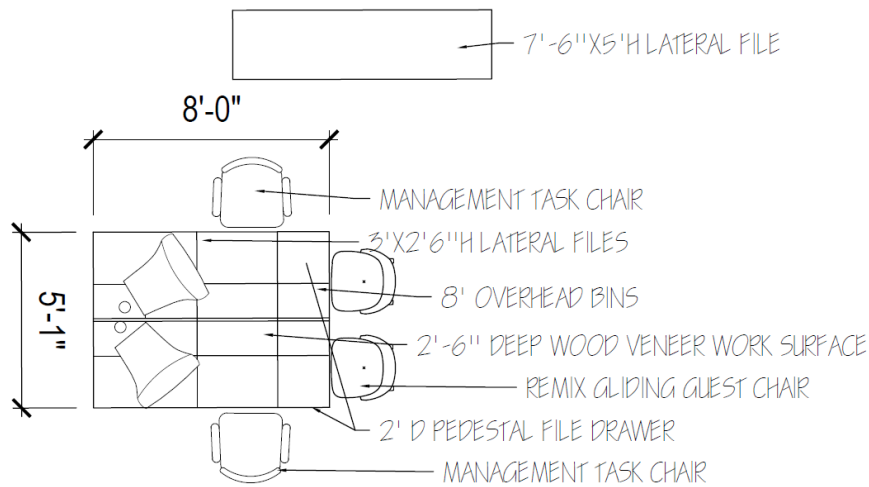
TASK SEATING: GRADE LEVEL 2

NOTES: WORKSURFACES TO INCLUDE GROMMETS

HORIZONTAL WIRE MANAGEMENT CLIPS

FILE DRAWERS INCLUDE LETTER/LEGAL KITS

PEDESTALS MOBILE W/ FULL DEPTH



ACCOUNTING STAFF

SCALE: $\frac{1}{4}" = 1'-0"$

WORKSTATION WS2

ROOM: 11'-7" X 14'-11 1/2"

SYSTEMS FURNITURE: SEGMENTED PANEL OVERALL HEIGHT 5'. LEG BASE PANEL NOT ALONG SPINE. OUTER FACES WOOD LAMINATE. POWER/DATA/COMM ACCESS TO BE PROVIDED THROUGH POWER IN FLOOR. CENTER SPINE POWERED. PROVIDE WHIPS.

2-8'-X2'6" WORKSURFACE HUNG

2- 8' LINEAR OVERHEAD BINS

2-MOVEABLE PEDESTAL FILE

1-7'-6" X 3'H LATERAL FILE

2-LED DESK LAMP

2-MANAGEMENT TASK CHAIR

ALTERNATE:

SEATING:

FINISHES: WORKSURFACES; WOOD LAMINATE

COMPONENTS- BLACK METAL PULLS

PANELS: GRADE 1

PEDESTAL FABRIC CUSHION- GRADE 1

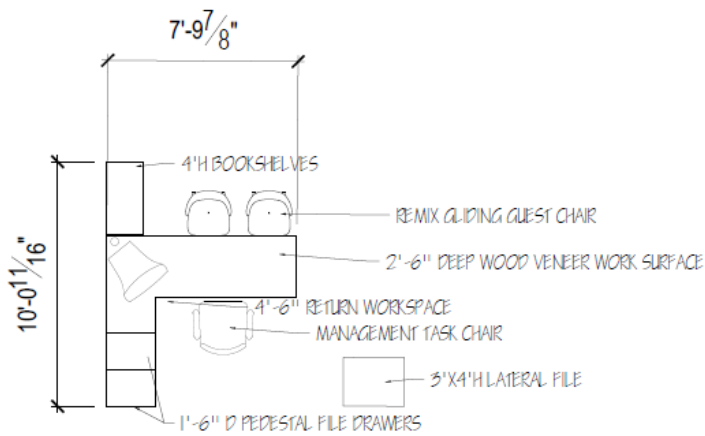
TASK SEATING: GRADE LEVEL 2

NOTES: WORKSURFACES TO INCLUDE GROMMETS

HORIZONTAL WIRE MANAGEMENT CLIPS

FILE DRAWERS INCLUDE LETTER/LEGAL KITS

PEDESTALS MOBILE W/ FULL DEPTH



OFFICE MANAGER
SCALE: $\frac{1}{4}'' = 1'-0''$

WORKSTATION WS3

ROOM: 10'-1" X 12'-3"

FURNITURE: FREESTANDING DESK

- 1-8'-6"X2'6" WORKSURFACE
- 1-6'-6"X2' WORKSURFACE BRIDGE
- 1-6'X7" RACETRACK WORKSURFACE
- 1- 4' WALL MOUNTED OPEN SHELF
- 1-MOVEABLE PEDESTAL FILE
- 1-3'X4'H LATERAL FILES

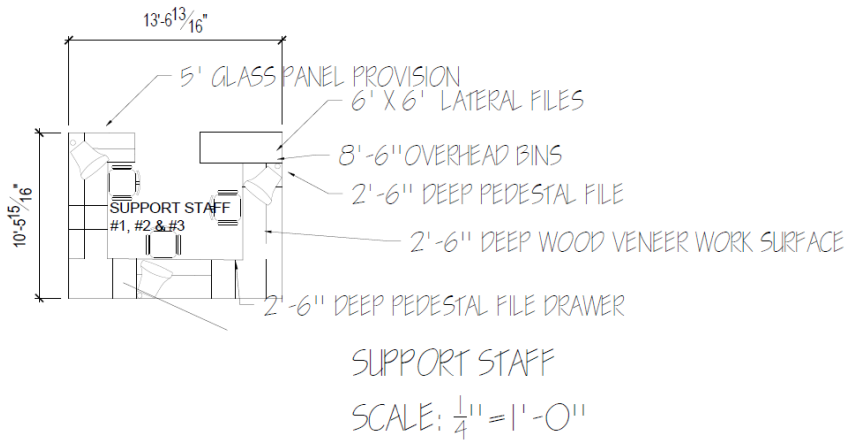
ALTERNATE: 1-LED DESK LAMP

SEATING: 1-MANAGEMENT CHAIR
3-REMIX GUEST CHAIR

FINISHES: WORKSURFACES; WOOD VENEER
COMPONENTS- BLACK METAL PULLS
PANELS: GRADE 2
PEDESATL FABRIC CUSHION- GRADE 2
TASK SEATING: GRADE LEVEL 2

NOTES: WORKSURFACES TO INCLUDE GROMMETS
FILE DRAWERS INCLUDE LETTER/LEGAL KITS
PEDESTAL AND TOWER STORAGE KEYED ALIKE; PEDESTALS MOBILE W/ FULL

DEPTH



WORKSTATION WS4

ROOM: 13'-7" X 10'-6"

FURNITURE: FREESTANDING DESK

3-8'-6"X2'6" WORKSURFACE
 2-8'-6" OVERHEAD BIN
 1-4' OVERHEAD BIN
 1-4'X2' WORKSURFACE BRIDGE
 5-MOVEABLE PEDESTAL FILE
 1-6'X6'H LATERAL FILES

ALTERNATE:

1-LED DESK LAMP

SEATING:

3-OPERATIONAL TASK CHAIR

FINISHES: WORKSURFACES; WOOD VENEER

COMPONENTS- BLACK METAL PULLS

PANELS: GRADE 2

PEDESATL FABRIC CUSHION- GRADE 2

TASK SEATING: GRADE LEVEL 2

NOTES: WORKSURFACES TO INCLUDE GROMMETS

FILE DRAWERS INCLUDE LETTER/LEGAL KITS

PEDESTAL AND TOWER STORAGE KEYED ALIKE; PEDESTALS MOBILE